

1. Sender information Absender

Project Projekt :

Enquiry date <i>Anfragedatum</i>	
Submission date <i>Angebot bis</i>	
Company name <i>Firma</i>	
Address <i>Anschrift</i>	
Person in charge <i>Bearbeiter</i>	
Email <i>E-Mail</i>	
Telephone <i>Telefon</i>	
Fax <i>Fax</i>	



2. Version Ausführung

- | | |
|--|---|
| <input type="checkbox"/> Vertical <i>stehend</i> | <input type="checkbox"/> Exchangeable bundle <i>austauschbares Bündel</i> |
| <input type="checkbox"/> Horizontal <i>liegend</i> | <input type="checkbox"/> Design as a compact station <i>Ausführung als Kompaktstation</i> |
| <input type="checkbox"/> Modular <i>modular</i> | |

	Steel <i>Stahl</i>	Copper <i>Kupfer</i>	Stainless steel <i>Edelstahl</i>
Tube bundle material <i>Material Rohrbündel</i>			
Shell material <i>Material Mantel</i>			

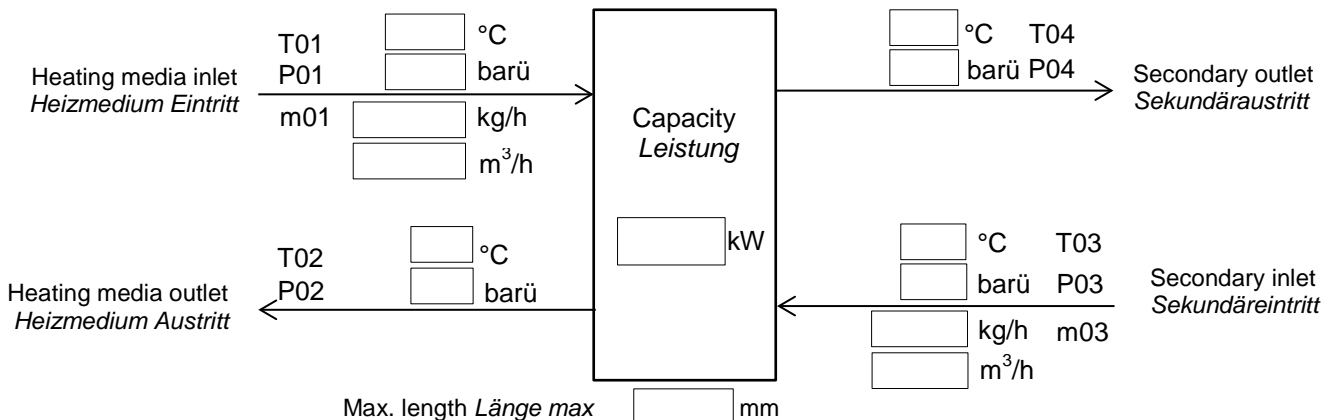
3. Technical data Technische Daten

Primary side Primärseite

- PN
- max. pressure *max. Druck* barü
- max. temperature *max. Temperatur* °C
- Thermal oil *Thermalöl*
- Steam *Dampf*
- Hot water *Heißwasser*
- Other *andere*

Secondary side Sekundärseite

- PN
- max. pressure *max. Druck* barü
- max. temperature *max. Temperatur* °C
- Thermal oil *Thermalöl*
- Heating water *Heizungswasser*
- Process water *Betriebswasser*
- Drinking water *Trinkwasser*
- Other *andere*



4. Haben Sie noch weitere Bemerkungen für uns?

Further remarks
